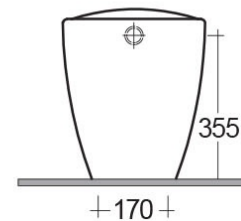
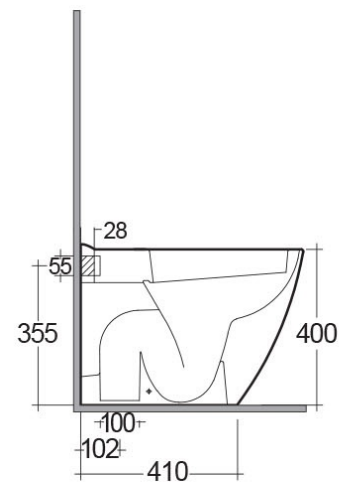
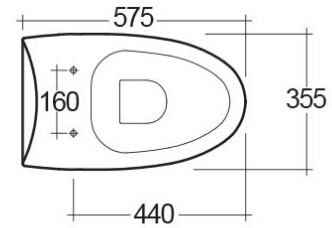


RAK-VENICE

Back to Wall | Water Closet

RAK
CERAMICS



Technical specifications

Dimensions: 575 x 355 mm

Weight: 28 Kg

Color: Alpine White

Trap type: S Trap

Trapway type: Concealed

Seat cover options: ABS & Urea

Bowl shape: Oval

Soft close: yes

Quick remove seat cover: yes

Dual flush: yes

Suites: [RAK-VENICE](#)

Code	Name
------	------

VN17AWHA	VENICE WATER CLOSET BACK TO WALL S-TRAP 57CM
----------	--

Dimensions: All dimensions in mm tolerance $\pm 5\%$ for below 200mm and $\pm 3\%$ for above 200mm.

Note: Due to a continuing development programme to improve design and performance, the manufacturer reserves all rights to vary specifications without prior information.

Please note accessories are for photographic use only.