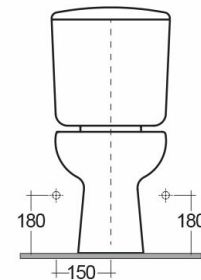
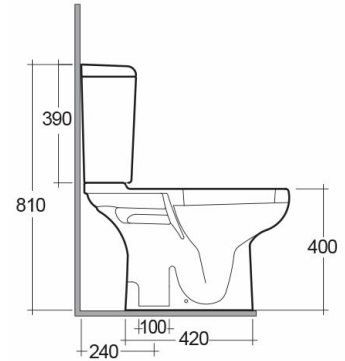
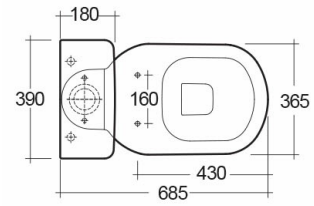


# RAK-LIWA

## Close Coupled | Water Closet

**RAK**  
CERAMICS



### Technical specifications

Dimensions:	685 x 365 mm
Weight:	35 Kg
Color:	Alpine White
Trap type:	S Trap
Trapway type:	Concealed
Seat cover options:	ABS & Urea
Bowl shape:	Oval
Soft close:	yes
Flush Type:	Dual Flush
Suites:	<a href="#">RAK-LIWA</a>

Code	Name
JM05DSCQRAWHA	JUMEIRAH QRSC ABS seat
LW03AWHA	LIWA WATER CLOSET CLOSE COUPLED S-TRAP 68CM
LW04AWHA	LIWA WATER CLOSET TANK
YFG173	RAK-Compact Urea Seat Cover
YFG173A	RAK-Compact Urea Soft Close Seat Cover
JM05DAWHA	SEAT & COVER (ABS)

Dimensions: All dimensions in mm. Tolerance of vitreous china & fireclay items:  $\pm 5\%$  for below 200mm and  $\pm 3\%$  for above 200mm; for all other items tolerance  $\pm 1\%$ . Note: Due to a continuing development program to improve design and performance, the manufacturer reserves all rights to vary specifications without prior information. Please note accessories are for photographic use only.