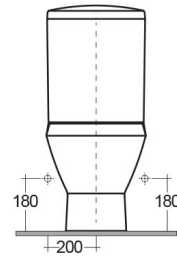
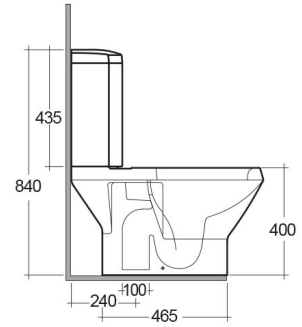
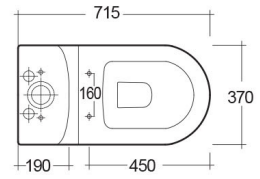


RAK-JUMEIRAH
Close Coupled | Water Closet

RAK
 CERAMICS



TECHNICAL SPECIFICATIONS

Suite:	RAK-JUMEIRAH
Type:	Close Coupled
Dimensions:	715 x 370 mm
Weight:	44 Kg
Color:	Alpine White, Ivory
Trap type:	S Trap
Trapway type:	Concealed
Seat cover options:	ABS & Urea
Bowl shape:	Oval
Soft close:	yes
Flush Type:	Dual Flush
Flush Capacity:	N/A

Code	Name
JM13AWHA	JUMEIRAH WATER CLOSET CLOSE COUPLED S-TRAP 71CM
JM04AWHA	JUMEIRAH WATER CLOSET TANK
JM05DSCQRAWHA	RAK-Jumeriah ABS Soft Close Seat and Cover with Quick Release

JM05DNCQRAWHA	RAK-Jumeriah ABS Normal Close Seat and Cover with Quick Release
YFG173	RAK-Compact Urea Seat Cover
YFG173A	RAK-Compact Urea Soft Close Seat Cover

Dimensions: All dimensions in mm. Tolerance of vitreous china & fireclay items: $\pm 5\%$ for below 200mm and $\pm 3\%$ for above 200mm; for all other items tolerance $\pm 1\%$. Note: Due to a continuing development program to improve design and performance, the manufacturer reserves all rights to vary specifications without prior information. Please note accessories are for photographic use only.