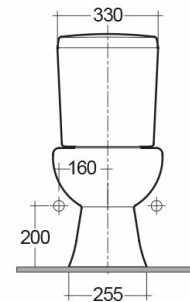
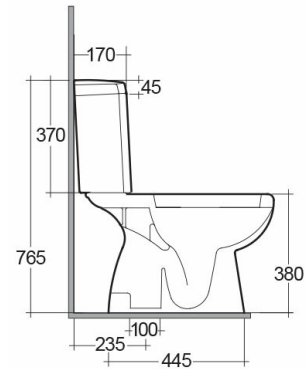
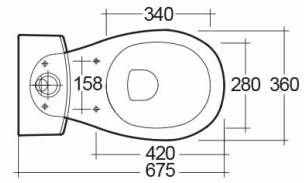


RAK-FLORA

Close Coupled | Water Closet

RAK
CERAMICS



Technical specifications

Dimensions:	675 x 360 mm
Weight:	29 Kg
Color:	Alpine White, Ivory
Trap type:	S Trap
Trapway type:	Concealed
Seat cover options:	ABS Plastic
Bowl shape:	Round
Flush Type:	Dual Flush
Suites:	RAK-FLORA

Code	Name
FL17AWHA	FLORA WATER CLOSET CLOSE COUPLED S-TRAP 67CM
FL20AWHA	FLORA WATER CLOSET TANK

Dimensions: All dimensions in mm. Tolerance of vitreous china & fireclay items: $\pm 5\%$ for below 200mm and $\pm 3\%$ for above 200mm; for all other items tolerance $\pm 1\%$. Note: Due to a continuing development program to improve design and performance, the manufacturer reserves all rights to vary specifications without prior information. Please note accessories are for photographic use only.